

PV MODULES COMPATIBILITY ON THE EASY ROOF INDUSTRIAL SYSTEM

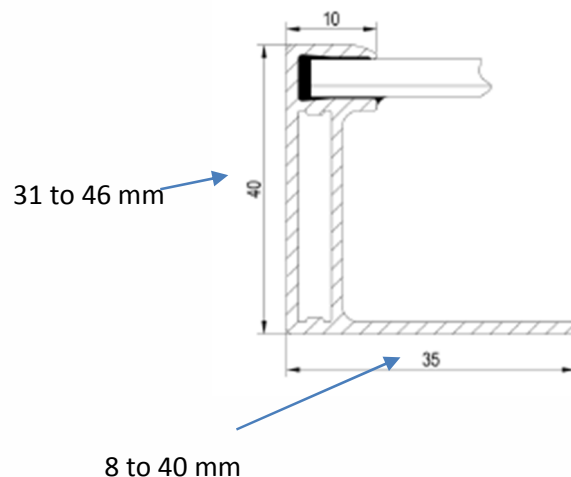
The EASY ROOF Industrial system is insured provided that the PV modules are within the mechanical compatibilities hereunder and have the IEC 61215 and 61730 certification.

« Standard » framed PV modules within the below dimensions are mechanically compatible with the EASY ROOF Industrial system :

- Portrait :
 - Module Length : from 1635 to 1685 mm
 - Module Width : from 982 to 1001 mm

- Landscape :
 - Module Length : from 1626 to 1685 mm
 - Module Width : from 982 to 1001 mm

- Portrait & Landscape :
 - « Standard » frame :
 - Thickness from 31 to 46 mm.
 - Frame's back flange from 8 to 40 mm.



PV modules within the above dimensions are mechanically compatible **subject to** :

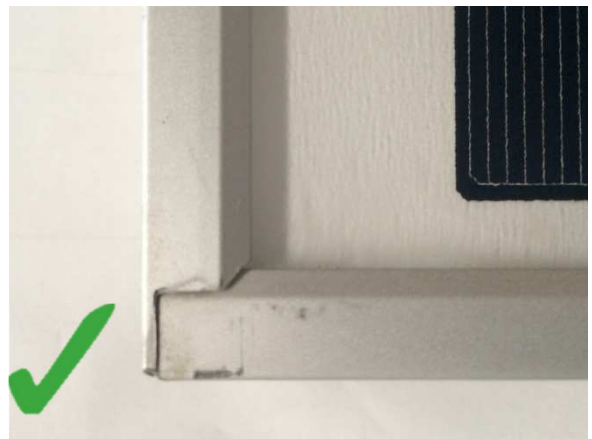
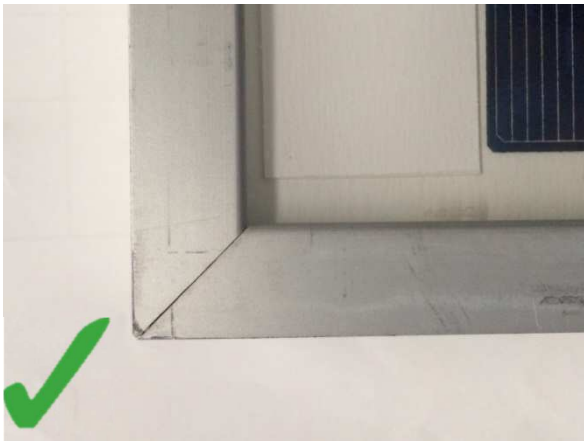
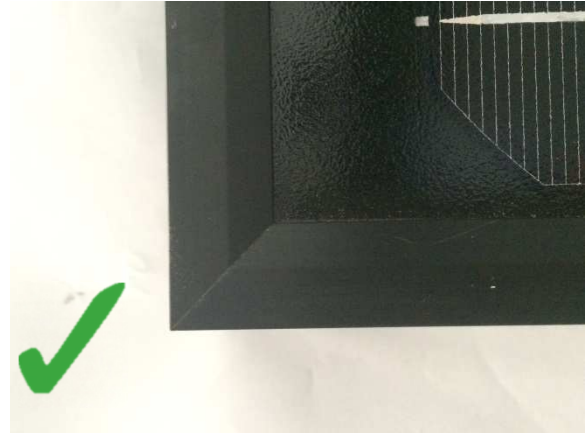
- Framing using a continuous seal.

- No back side strength bar.
- Junction box do not rise above the frame back flange.
- Junction box at more than 8mm from the frame's profile.



- No water drainage at frame's corners. See picture below.





A specific study for PV modules that do not fit within the above criteria can be done, contact: virginie.quere@irfts.com

Non EXHAUSTIVE list of PV modules NOT compatible, as tested today:

Brand	Model	Length (mm)	Width (mm)	Thickness (mm)
Solarworld	Sunmodule Plus SW260-270 mono	1675	1001	33
Solarworld	Sunmodule Plus SW280-290 mono	1675	1001	33
Solarworld	Sunmodule Plus SW250 mono black	1675	1001	33
Solarworld	Sunmodule Plus SW275-285 mono black	1675	1001	33
Solarworld	Sunmodule Plus SW250-260 poly	1675	1001	33